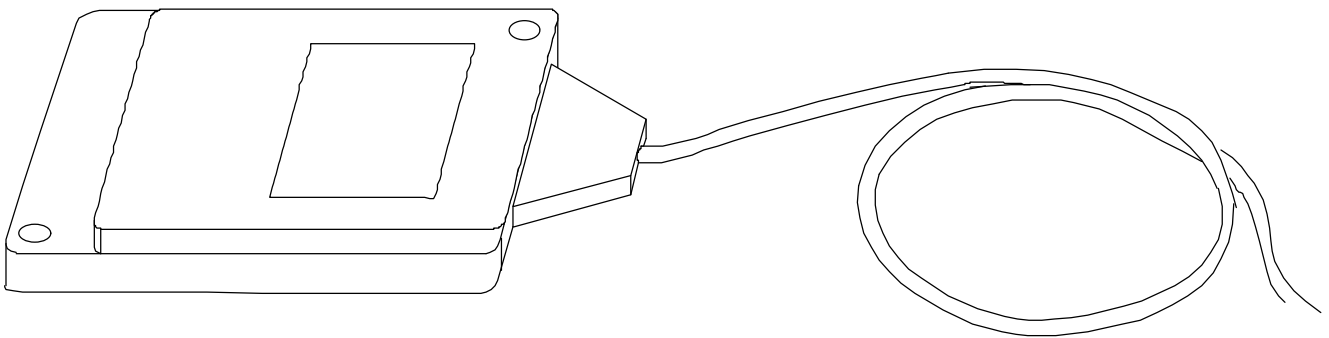




# ABT 100 Aplicom Bluetooth Module

---



**ABT 100 Aplicom Bluetooth Module is a robust, easy to use short range wireless communication module. The module contains the Bluetooth radio and a built in antenna in same housing.**

The module enables an efficient, short range point-to-point wireless connection from Aplicom vehicle computers to host systems and LAN over a Bluetooth access point. It connects locally PDA devices, bar code scanners and other Bluetooth supporting data devices to Aplicom vehicle computers. It makes wireless local communication possible in areas like garage, truck terminals and warehouse areas.

The module uses standard Bluetooth communication technology that is based on a digital short range radio link with maximum data throughput 721 Kbit/s and a communication range up to 100 meters. ABT 100 Aplicom

Bluetooth Module can be connected to all Aplicom vehicle computers through the RS 232 serial port, with speed up to 115 200 bit/s.

The use of the ABT 100 Aplicom Bluetooth module with Aplicom C-series and F-series vehicle computers is supported in Aplicom AC Tool Kit. IP protocol can be used on top of the low-level Bluetooth protocol.

The ABT 100 Aplicom Bluetooth Module can be added later to existing Aplicom installations.

# Aplicom Bluetooth Module

## Technical Data

### HARDWARE

<b>Engine</b>	Bluetooth Class 1 (100 meters), based on CSR BC02 Uses 2.4 GHz ISM Band Host processor Interface (UART)
<b>Appl. HW Interfaces</b>	RS 232, 9600-115200 bit/s
<b>Supply voltage</b>	10.5 – 32 VDC
<b>Power consumption</b>	Link active max: 200 mA
<b>Operating temperature</b>	-20° C to +70° C
<b>Certifications</b>	Bluetooth version 1.2

### SOFTWARE

Serial Port cable replacer (ASC interface).  
  
Easy-to-use command API for accessing the Bluetooth functionality from Aplicom AC Toolkit

### Dimensions:

